

FEATURES:

Electrical

- UL applications: 250 VOLTS AC
- Dielectric with standing voltage: 500 VOLTS AC
- Insulation resistance: 100 MΩ
- Termination resistance: 20 mΩ MAX after environmental testing

Mechanical

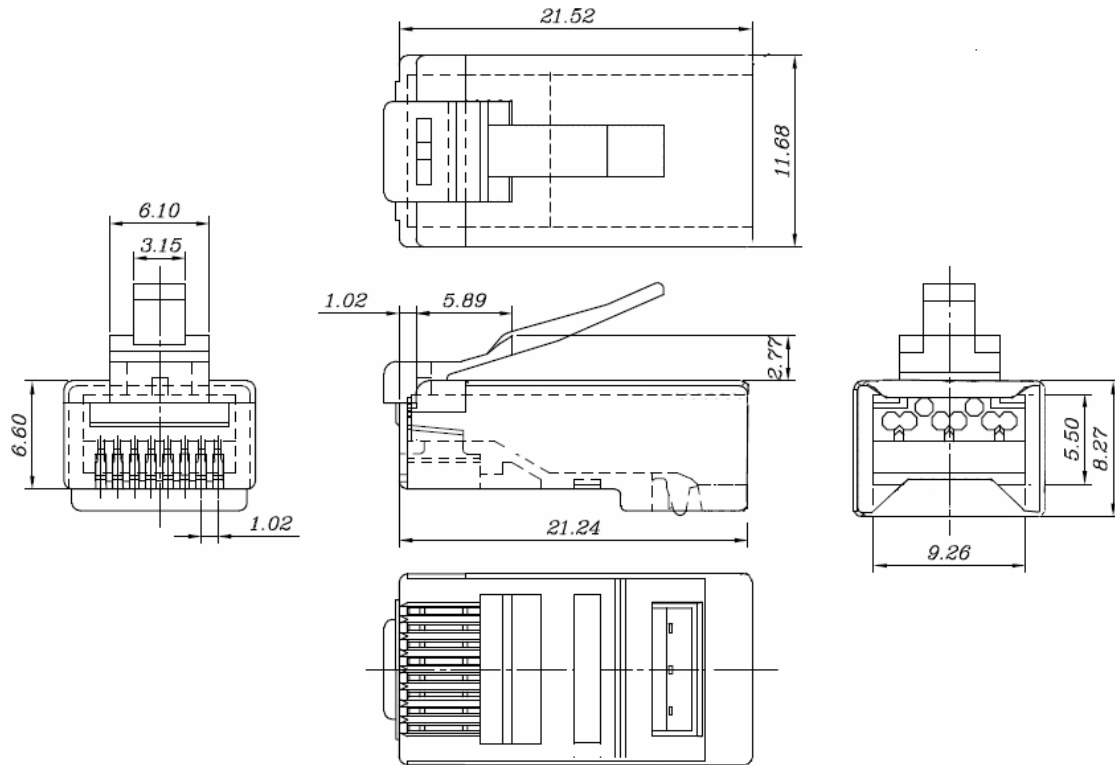
- Cable-to- plug tensile strength : 20 pound MIN
- Durability: 200 mating cycles

Material

- Housing: Polycarbonate, UL 94V-0
- Color: Transparent
- Contact blade: Phosphor bronze
- Conductor: Stranded & solid wire, 24AWG, 26AWG
- Gold plating: 50μ inch



DRAWING:



ORDERING INFORMATION:

Part No. 199618832

Description: Cat.6 Unshielded 8P8C modular plug, 3 prongs, 50 μ , transparent

Packing: 100pcs/bag, 5000pcs/carton

carton dimension 35.5*23*24.5cm

Premium-Line Systems GmbH, Rosenheimer Str.89, D-83064 Raubling Germany

► TEL: + 49(0)8035 9836 0 ► Fax: + 49(0)8035 9836 22

Premium Line Systems GmbH reserves the right to change specifications without prior notice.