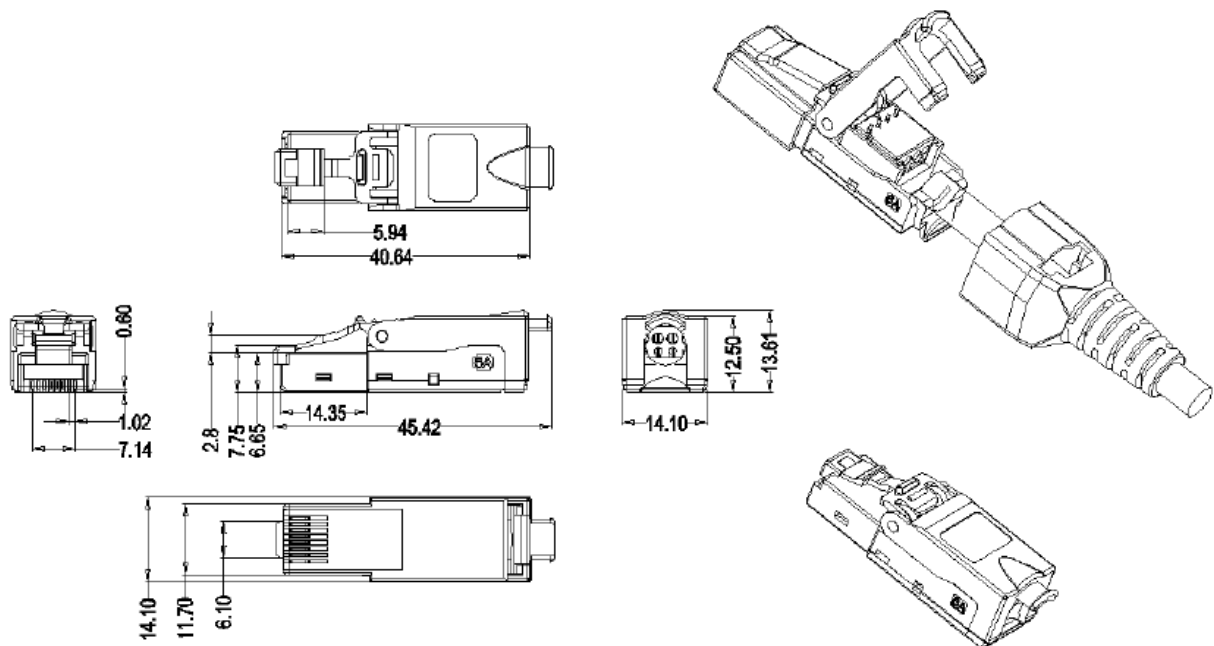


FEATURES:

- Meeting the TIA/EIA-568.2-D, ISO/IEC11801 and EN50173-1 specifications.
- Complying with category 6A patch cord testing performance requirements.
- Connector accepts 22-26 AWG solid and stranded unshielded cables.
- Suitable for cables with an outer diameter of 6.0–8.2 mm.
- Supporting T568 A&B wiring & easy installation.
- Terminating cable without tools.
- Ideal for industrial applications.
- Temperature range: -10° to 60°.



DRAWING:



Premium Line Systems GmbH reserves the right to change specifications without prior notice.

CHARACTERISTICS:

IDC Connector	Characteristics
Operating Life	Minimum 250 re-terminations
Contact Material	Phosphor bronze
IDC Contact Plating	100µ inch nickel plated
IDC Material	PC, UL94 V-0

RJ45 Plug	Characteristics
Contact Plating	50µ Inch Gold plated over Phosphor Bronze
Operating Life	Minimum 1500 re-insertion
Housing Material	PC, UL94 V-0

Printed Circuit Board	Characteristics
Materials	FR-4, UL94 V-0
Thickness	1.6 mm

APPLICATIONS:

- 10G BASE-T, 1000BASE-T/TX, 100BASE-TX, 10BASE-T
- Voice

ORDERING INFORMATION:

Part NO. 159100002
Description Cat.6A unshielded toolless RJ45 plug
Packing 1pc/PE bag, 35pcs/box, 350pcs/carton
carton size 53.5*31*23 cm weight N.W. 5.0 KG G.W. 5.5KG

Premium-Line Systems GmbH, Rosenheimer Str.89, D-83064 Raubling, Germany

► TEL: +49(0)8035 9836 0 ► Fax: +49(0)8035 9836 22

Premium Line Systems GmbH reserves the right to change specifications without prior notice.