

FEATURES:

- Supports T568 A&B wiring and easy installation
- Dual type IDC connector can accept 22-26 AWG solid and stranded cables
- Uniform standard German type
- Color: RAL9010 or RAL1013
- Terminate using 110 or Krone tools
- 45° inclined port structure, plug-in-easy
- Dust-proof shutter design

Compliant with Cat.6A requirements as :

- ANSI/TIA-568.2-D:2018
- EN50173-1:2018
- ISO/IEC 11801-1 Class Ea:2017

Compliant with safety standard as:

- RoHS (EU Directive 2011/65/EC)

**APPLICATION:**

- 10GBASE-T Ethernet
- 1000BASE-TX Gigabit Ethernet
- 1000BASE-T Gigabit Ethernet
- 100BASE-TX Fast Ethernet.
- 10BASE-T Ethernet
- Voice, Video and other applications.

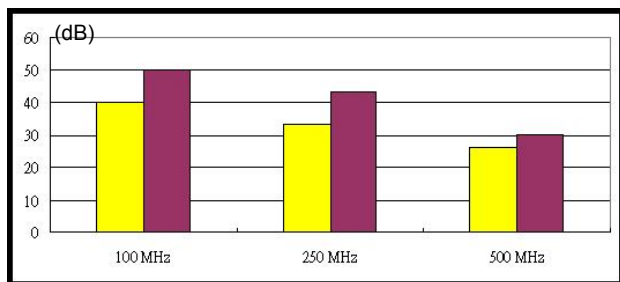
CHARACTERISTICS:

| | |
|-----------------------|--|
| Dielectric Strength | 1000V RMS for 1min |
| Current Rating | 1.5Amp Max. |
| Insulation Resistance | 10MΩ Min. |
| Contact Resistance | 2mΩ per contact |
| Temperature Range | -10° to 60° C |
| Humidity | 10%~90%; non condensing |
| Material Flame Rating | UL94 V-0 |
| Plate | ABS |
| Top & Bottom Case | Zinc die casting alloys |
| Jack | 45° 8P8C RJ45 jack |
| | Phosphor bronze 50μ inch gold plated over nickel in contact area |
| | Shielded: bronze with nickel plated |
| | Plastic housing: engineering thermoplastic |
| IDC | Operating life: Minimum 750 insertions |
| | Dual 8pin IDC |
| | Main body: PC |
| | IDC Contacts:100μ inch nickel plated over phosphor bronze |
| Dimension(L*W*H) | Operating life: Minimum 250 Re-terminations |
| | 80.0*80.0*38.6mm |

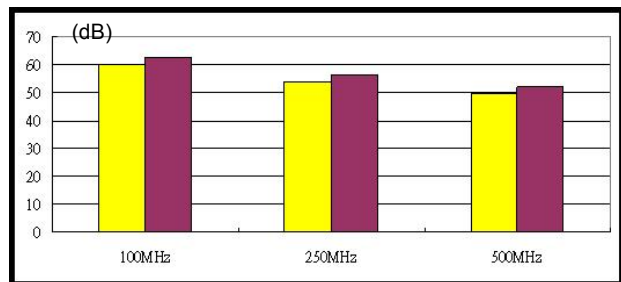
TYPICAL PERFORMANCE:

Channel performance data for 10G Cat6A shielded solution

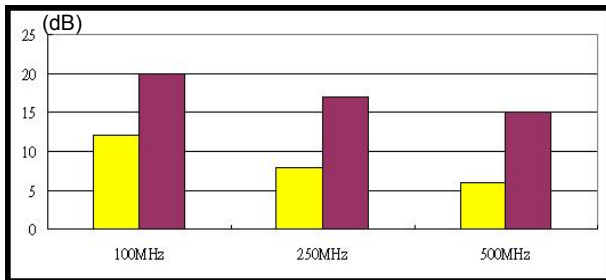
PSNEXT



PSANEXT

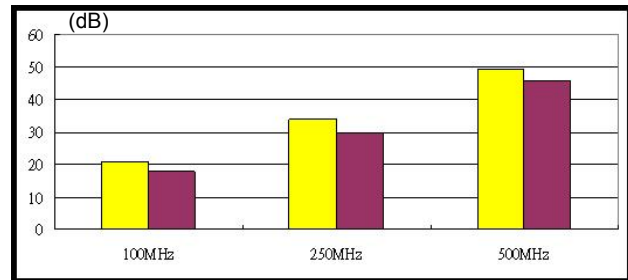


Return Loss

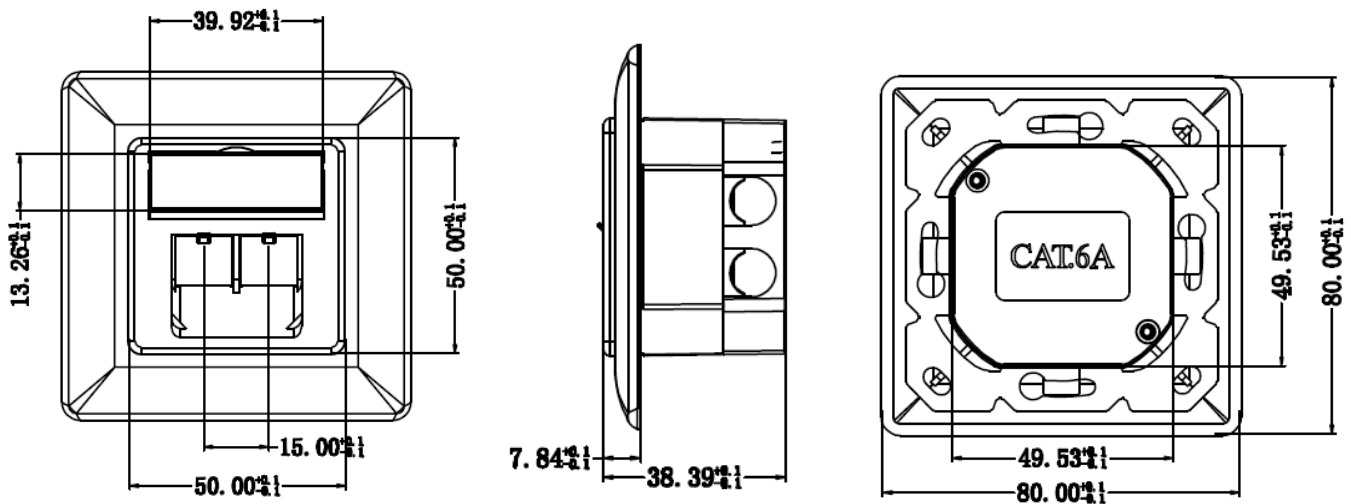


■ Cat.6A Limit ■ Typical

Insertion Loss



DRAWING:



ORDERING INFORMATION:

| | | |
|-------------|--|-------------------------|
| Part NO. | 1119212x1 | |
| Description | Cat.6A shielded compact outlet with shutter, 80x80mm | |
| x, color | 8: RAL1013 (oyster white) | 9: RAL9010 (pure white) |
| Packing | 1pc/ PE bag, 5pcs/PE bag, 75pcs/carton | |
| | carton dimension 51*29*26.5cm weight N.W. 10.6 KG G.W. 13.7 KG | |

Premium-Line Systems GmbH, Rosenheimer Str.89, D-83064 Raubling, Germany

► TEL: +49(0)8035 9836 0 ► Fax: +49(0)8035 9836 22

Premium Line Systems GmbH reserves the right to change specifications without prior notice.