

**FEATURES:**

- Performance conforms to ANSI/TIA 568.2-D, ISO/IEC 11801-1, EN 50173-1 Class Ea specification
- Compact design ideal for high density applications: up to 24 keystone jacks can fit into 1U 24 port unloaded patch panel(P/N 171022402)
- Shutter design to protect jack against ingress of dirt
- Supports T568 A&B wiring & easy installation
- Dual IDC connector can accept 22-26 AWG solid cables
- Terminate with 110 or krone tools
- RoHS compliant



**APPLICATION:**

- 10GBASE-T Ethernet
- 1000BASE-TX Gigabit Ethernet
- 1000BASE-T Gigabit Ethernet
- 100BASE-TX Fast Ethernet.
- 10BASE-T Ethernet.
- Voice, Video and other applications.

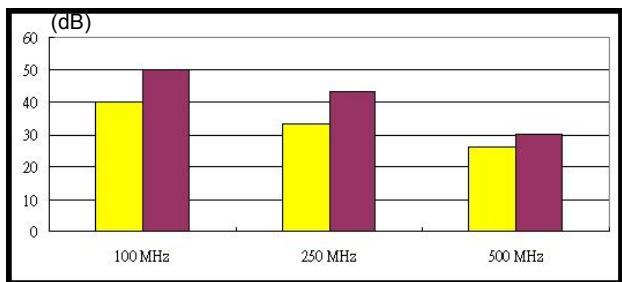
**CHARACTERISTICS:**

Dielectric Strength	1000V RMS for 1min
Current Rating	1.5Amp Max.
Insulation Resistance	10MΩ Min.
Contact Resistance	2mΩ per contact
Temperature Range	-10° to 60°
Humidity	10%~90%; non condensing
Material Flame Rating	PC, UL94 V-0
Admissible Conductor	22AWG ~ 26AWG insulation wire
8pin contact in PCB Jack	Phosphor bronze, 50μ inch gold plated over nickel plated in contact area
	Operating life: Minimum 750 insertions
IDC Contacts	100μ inch nickel plated over phosphor bronze
	Operating life: Minimum 250 Re-terminations

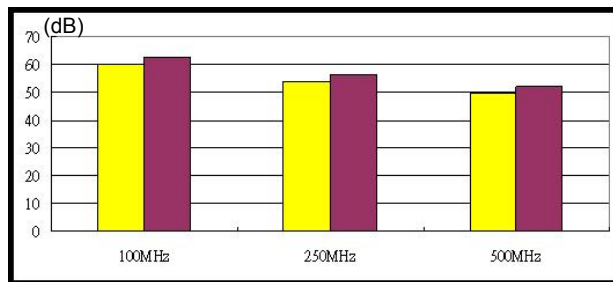
**TYPICAL PERFORMANCE:**

**Channel Performance Data for 10G 6A Unshielded Solution**

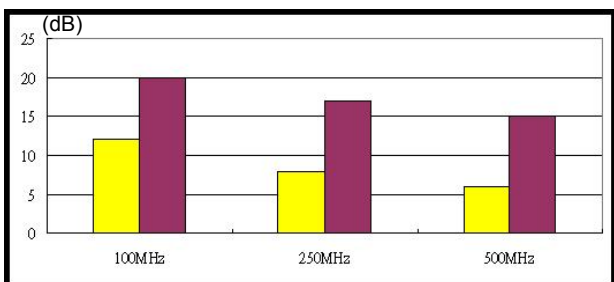
**PSNEXT**



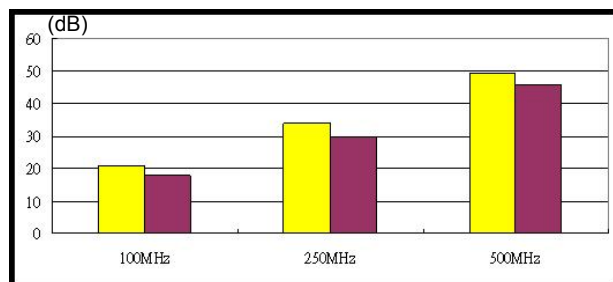
**PSANEXT**



**Return Loss**

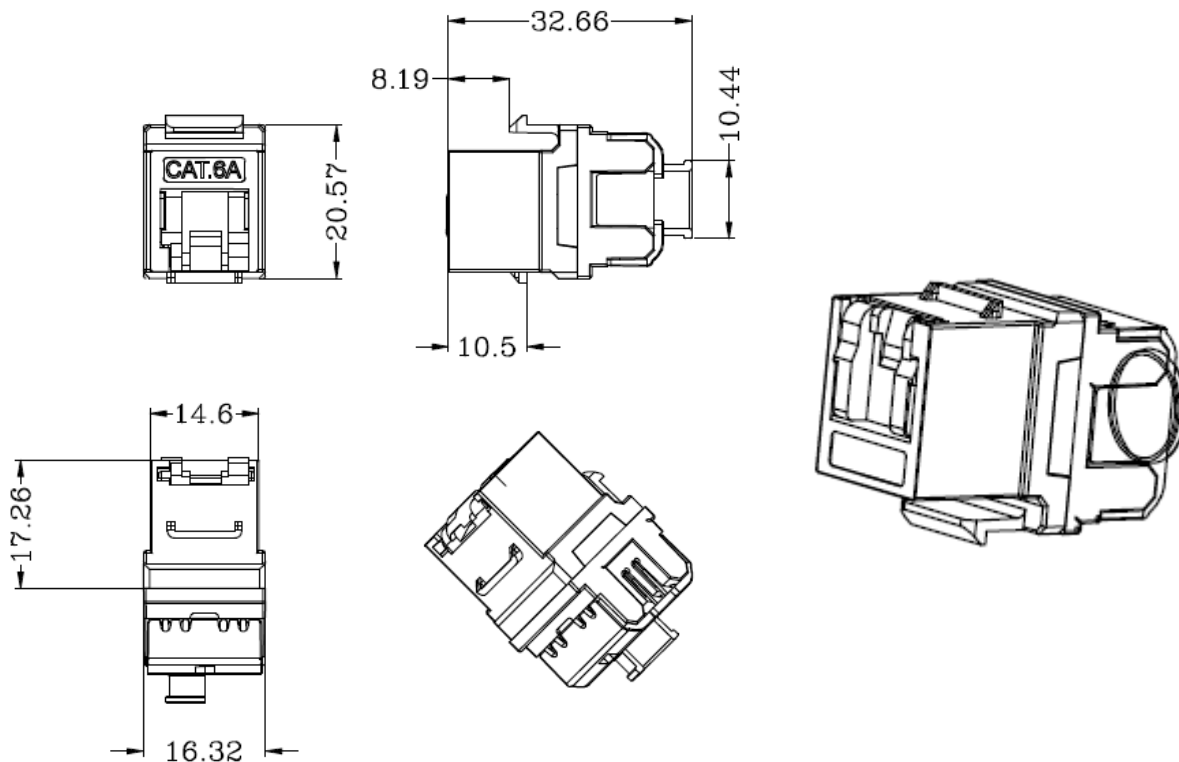


**Insertion Loss**



**Cat.6A Limit**     **Typical**

**DRAWING:**



**ORDERING INFORMATION:**

Part NO.	109721010
Description	Cat.6A 180° unshielded slim keystone jack with shutter, dual type IDC, white
Packing	1pc/PE bag, 50pcs/ box, 500 pcs/carton
	carton size 53.8*35.2*27 cm      weight N.W. 5.0KG    G.W. 9.1KG

Premium-Line Systems GmbH, Rosenheimer Str.89, D-83064 Raubling, Germany

► TEL: + 49(0)8035 9836 0 ► Fax: + 49(0)8035 9836 22

Premium Line Systems GmbH reserves the right to change specifications without prior notice.