

FEATURES:

- Supports ISDN, 10 Base-T and any other voice applications
- Supports T568 A&B wiring & easy installation
- Offers total solution of your Local Area Networking
- Dual IDC connector can accept 23-26 AWG solid cables
- Using 110 or Krone tools for termination
- USOC wiring method
- RoHS compliant



CHARACTERISTICS:

Dielectric Strength	1000V RMS for 1min
Current Rating	1.5Amp Max.
Insulation Resistance	10MΩ Min.
Contact Resistance	2mΩ per contact
Temperature Range	-10° to 60° C
Humidity	10%~90%; non condensing
Material Flame Rating	UL94 V-0
Admissible Conductor	23AWG ~ 26AWG insulation wire
4pin contact in PCB Jack	Phosphor bronze, 3μ inch gold plated over nickel plated in contact area
IDC Contacts	Operating life: Minimum 750 insertions 100μ inch nickel plated over phosphor bronze Operating life: Minimum 250 re-terminations

USOC WIRING METHOD:

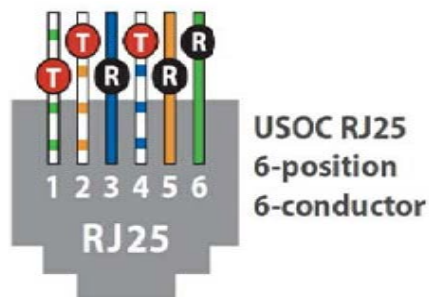
Wire Deployment on Keystone Module

Corresponding RJ25 Wiring

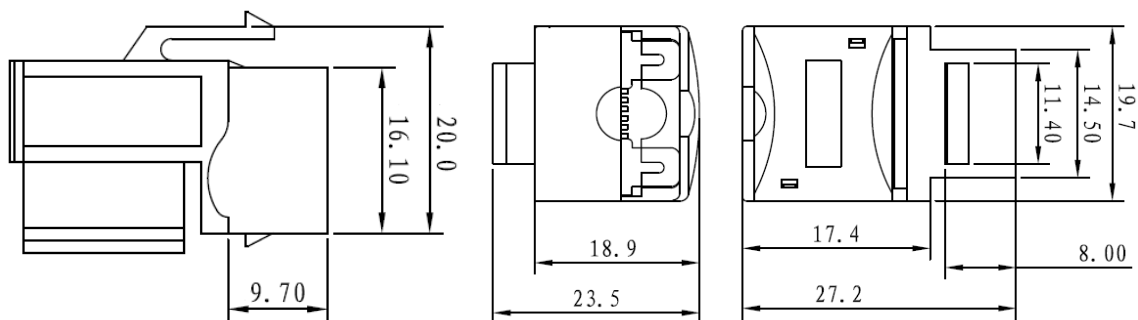
Left:



Right:



DRAWING:



ORDERING INFORMATION:

Part No.	103111010
Description	Premium Line ISDN (Cat.3) 90°unshielded keystone jack, dual type IDC
packing	1pc/PE bag, 100pcs/box, 2000 pcs/carton
	carton size 62*42*43cm weight N.W. 17.5KG G.W. 18KG

Premium-Line Systems GmbH, Rosenheimer Str.89, D-83064 Raubling, Germany

► TEL: + 49(0)8035 9836 0 ► Fax: + 49(0)8035 9836 22

Premium Line Systems GmbH reserves the right to change specifications without prior notice.